

## Three Phase Transformers

### SERIES ES-31 CE MARKED

Series ES Three Phase Encapsulated Transformers are designed to comply with Domestic, North American, and European Union electrical and testing standards. Series ES are UL and Canadian UL Listed by Underwriters Labs. In addition, Series ES are CE Marked, and licensed by the German testing agency TÜV Rheinland under License Number R 9679035.01.

Series ES transformers are the answer to your export needs. With the voltage combinations listed below, and built in approvals, the ES Series provide no-nonsense solutions for equipment destined for the European Community of nations.

Under EC guidelines, connecting transformers to line and load require finger safe connections. While other manufacturers provide leads, Dongan provides finger safe terminals on all ES-31 transformers. This feature eliminates the necessity of a difficult, labor intensive installation of terminals in the wiring compartment by the end user.

The voltage combinations offered represent some of the most universally used. However, any combination of primary and secondary incorporating voltages of 600 volts and below is available on a short lead time, special order basis. In addition, capacities up to 40 kVA and special temperature rise configurations can be furnished.

Please consult your distributor, Dongan Representative, or the factory for special ES Series transformer requirements.



Series ES - 31

### Features

- CE Marked
- TÜV Rheinland Licensed, R 9679035.01 Agency Compliance
- UL Listed, File E3210. 
- CSA Listed thru UL, File E3210
- NEMA 12, IP54 enclosure.
- Epoxy Encapsulated.
- All copper windings.
- IEC type finger safe terminals.
- 200°C Insulation System.
- 50/60 Hertz.
- Class 1, general use, isolating transformer.
- All Series ES are provided with an electrostatic shield (earth metal screen).
- All Series ES are provided with a color coded protective earth (PE) terminal.
- Consult factory for desired voltage combinations and kVA sizes not listed.

#### Three Phase Core & Coil Configurations Available

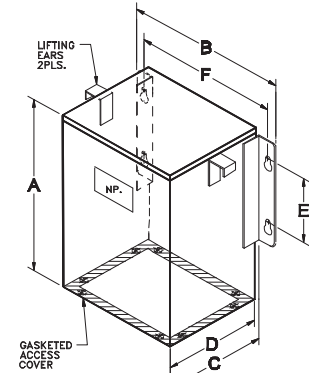
Dongan is licensed by TÜV Rheinland to manufacture CE Marked, three phase core and coil units up to 40 kVA. Please consult your Dongan Distributor or the factory for open style designs of ES three phase transformers.

Dimensions & weights may change. Consult factory for certified drawings.

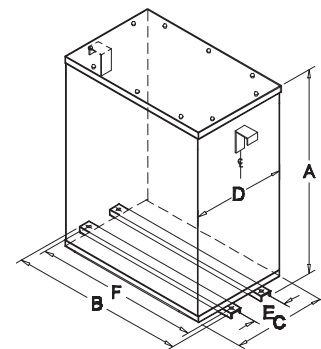
## Three Phase Transformers

### SERIES ES-31 CE MARKED

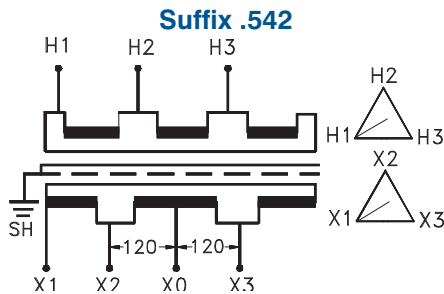
General Information									
Pri. Volts	380 Delta	416 Delta	Dimensions (inches)						Weight (lbs)
Sec. Volts	240 / 120 Delta Center - Tapped	240 / 120 Delta Center - Tapped	A	B	C	Mounting			
kVA Cap.	Catalog Number	Catalog Number				D	E	F	
1	ES-31200.542	ES-31200.552	15.00	18.00	12.50	12.00	8.00	16.00	170
3	ES-31250.542	ES-31250.552	15.00	18.00	12.50	12.00	8.00	16.00	180
6	ES-31310.542	ES-31310.552	15.00	18.00	12.50	12.00	8.00	16.00	200
10	ES-31360.542	ES-31360.552	18.00	21.00	10.50	10.00	8.00	19.00	295
15	ES-31380.542	ES-31380.552	18.00	21.00	10.50	10.00	8.00	19.00	315
20	ES-31390.542	ES-31390.552	27.50	24.75	12.25	12.00	5.00	23.25	430
25	ES-31410.542	ES-31410.552	27.50	24.75	12.25	12.00	5.00	23.25	450
30	ES-31420.542	ES-31420.552	27.50	24.75	12.25	12.00	5.00	23.25	500
40	ES-31450.542	ES-31450.552	27.50	24.75	16.25	16.00	9.00	23.25	535



**1 - 15 kVA**  
Wall Mount - Encapsulated -  
NEMA 12 - IP54

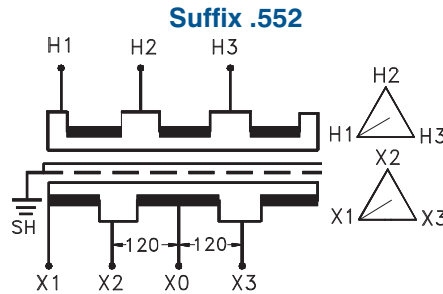


**20 - 40 kVA**  
Floor Mount - Encapsulated -  
NEMA 12 - IP54



Primary Connections		Secondary Connections	
Pri. Voltage	Connect Incoming Lines To:	Sec. Voltage	Connect Load Lines To:
380 Delta, 3 Phase	H1, H2, H3	240 Delta, 3 Phase	X1, X2, X3
		120 1 Phase*	X0 & X2 X0 & X3

\* Single Phase load is limited to a maximum of 5% of nameplate kVA distributed equally on either side of X0.



Primary Connections		Secondary Connections	
Pri. Voltage	Connect Incoming Lines To:	Sec. Voltage	Connect Load Lines To:
416 Delta, 3 Phase	H1, H2, H3	240 Delta, 3 Phase	X1, X2, X3
		120 1 Phase*	X0 & X2 X0 & X3

\* Single Phase load is limited to a maximum of 5% of nameplate kVA distributed equally on either side of X0.

#### Series ES Single Phase and Industrial Control Transformers

Please see Series ES CE Marked Single Phase on page 18 - 19 and Industrial Control transformers on pages 82 - 83 of this catalog. A Declaration of Conformity is available by contacting your Dongan Representative or the factory Customer Service Department.

sales@olinsys.com - www.olinsys.com  
ventas@olinsys.com